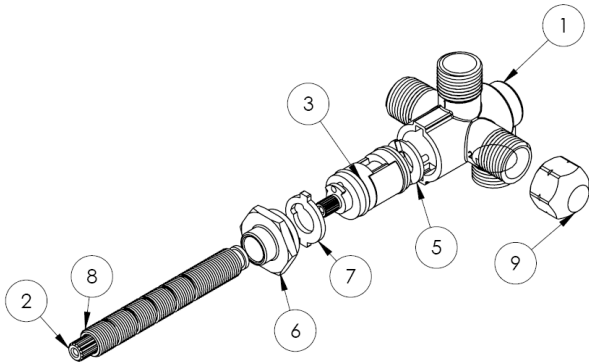
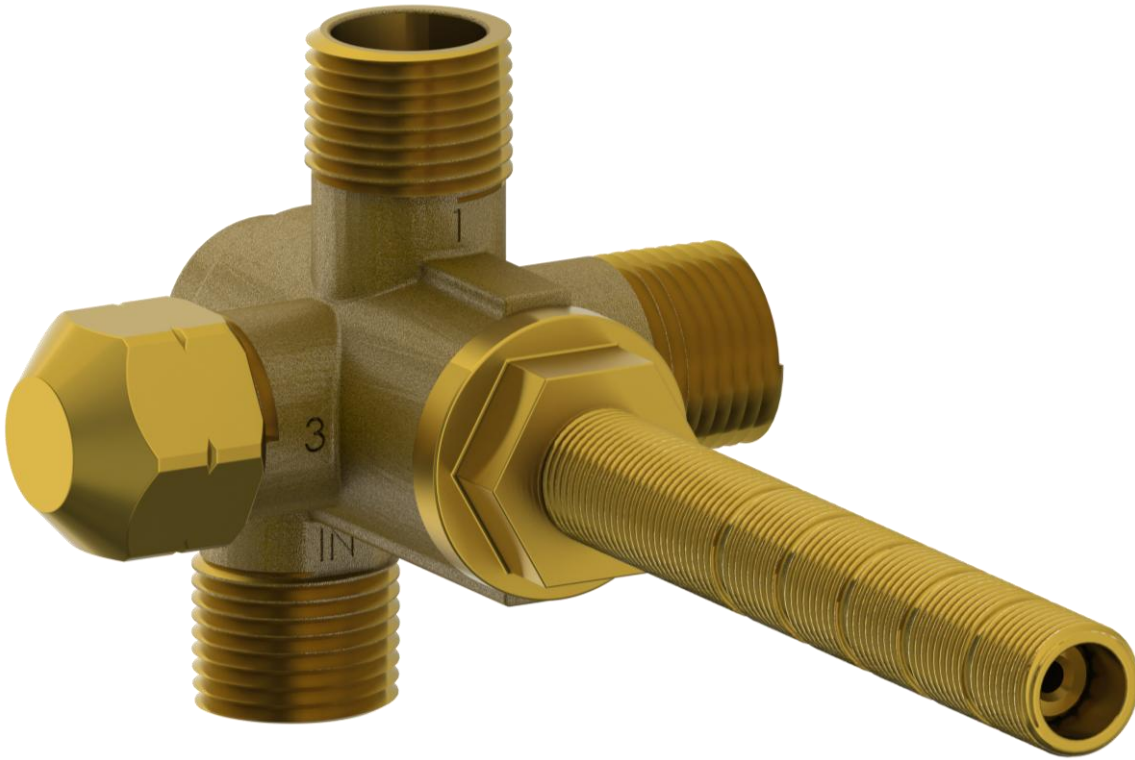


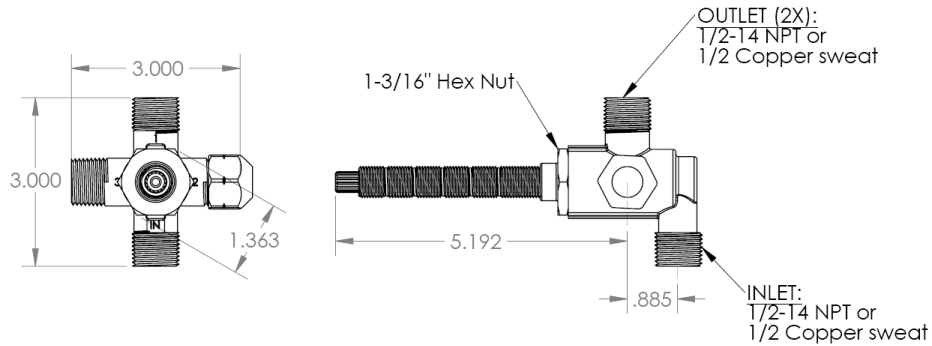
SS-WD2

1/2" 2-Way Diverter Valve

Note: No Shared Ports



ITEM NO.	PART NUMBER	QTY.
1	SS-WD3	1
2	SS-WD2-STM	1
3	CRT-WD2	1
5	SS-WD2-PLSTC-CLICKR	1
6	SS-WD2-NUT	1
7	CRT-WD2-DISK	1
8	SS-WD2-NPPL	1
9	SS-WD2-CAP	1



WATERMARK DESIGNS 4/22/2019

350 Dewitt Ave Brooklyn NY 11207 USA T 718 257 2800 F 718 257 2144 info@watermark-designs.com